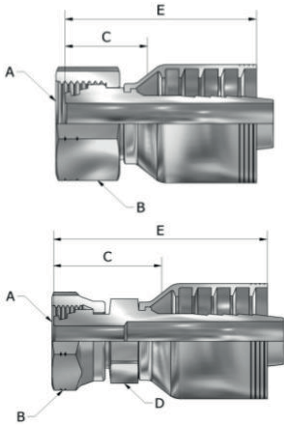


DD406 SERIES(Female Metric Swivel - DIN 20078 Straight O-Ring)

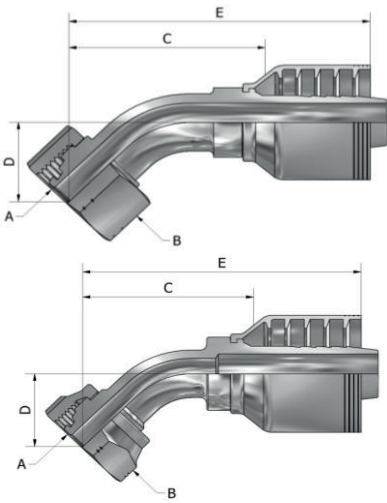
LIST



PART NUMBER	Products Description									
	Hose In-Dia	Thread METRIC	Nut Hex		Tail-Growth		Nipple Hex		Overall length	
			MM	Inch	MM	Inch	MM	Inch	MM	Inch
			A		B		C		D	
DD406-16-06O08	3/8	M16*1.5P	19.0	0.75	33.2	1.31	17.0	0.67	57.0	2.24
DD406-16-06O10	3/8	M16*1.5P	19.0	0.75	33.2	1.31	19.0	0.75	58.0	2.28
DD406-18-06O10	3/8	M18*1.5P	22.0	0.87	35.3	1.39	17.0	0.67	59.1	2.33
DD406-18-06O12	3/8	M18*1.5P	22.0	0.87	35.3	1.39	17.0	0.67	59.1	2.33
DD406-20-06O12	3/8	M20*1.5P	24.0	0.94	26.7	1.05		0.00	50.5	1.99
DD406-22-06O14	3/8	M22*1.5P	27.0	1.06	28.2	1.11		0.00	52.0	2.05
DD406-22-06O15	3/8	M22*1.5P	27.0	1.06	28.2	1.11		0.00	52.0	2.05
DD406-22-08O14	1/2	M22*1.5P	27.0	1.06	38.1	1.50	22.0	0.87	68.5	2.70
DD406-22-08O15	1/2	M22*1.5P	27.0	1.06	38.1	1.50	22.0	0.87	68.5	2.70
DD406-24-08O16	1/2	M24*1.5P	30.0	1.18	28.1	1.11		0.00	58.5	2.30
DD406-26-10O18	5/8	M26*1.5P	32.0	1.26	37.6	1.48	24.0	0.94	69.1	2.72
DD406-26-12O18	3/4	M26*1.5P	32.0	1.26	36.3	1.43	27.0	1.06	72.7	2.86
DD406-30-10O20	5/8	M30*1.5P	36.0	1.42	32.2	1.27		0.00	63.7	2.51
DD406-30-10O22	5/8	M30*1.5P	36.0	1.42	29.1	1.15		0.00	60.6	2.39
DD406-30-12O20	3/4	M30*2.0P	36.0	1.42	29.9	1.18		0.00	66.3	2.61
DD406-30-12O22	3/4	M30*1.5P	36.0	1.42	26.8	1.06		0.00	63.2	2.49
DD406-36-10O25	5/8	M36*2.0P	46.0	1.81	33.2	1.31			64.7	2.55
DD406-36-12O25	3/4	M36*2.0P	46.0	1.81	30.9	1.22		0.00	67.3	2.65
DD406-36-16O25	1"	M36*2.0P	46.0	1.81	48.9	1.93		0.00	92.8	3.65
DD406-36-16O28	1"	M36*2.0P	46.0	1.81	48.4	1.91	35.0	1.38	92.3	3.63
DD406-42-16O30	1"	M42*2.0P	50.0	1.97	35.6	1.40		0.00	79.5	3.13
DD406-42-20O30	1-1/4	M42*2.0P	50.0	1.97	54.7	2.15	46.0	1.81	97.2	3.83
DD406-45-20O35	1-1/4	M45*2.0P	50.0	1.97	54.7	2.15	46.0	1.81	97.2	3.83
DD406-52-20O38	1-1/4	M52*2.0P	60.0	2.36	40.1	1.58			82.6	3.25
DD406-52-24O38	1-1/2	M52*2.0P	60.0	2.36	56.1	2.21	50.0	1.97	111.3	4.38
DD406-52-24O42	1-1/2	M52*2.0P	60.0	2.36	56.1	2.21	50.0	1.97	111.3	4.38

DD446 SERIES(Female Metric Swivel - DIN 20078 45° Elbow O-Ring)

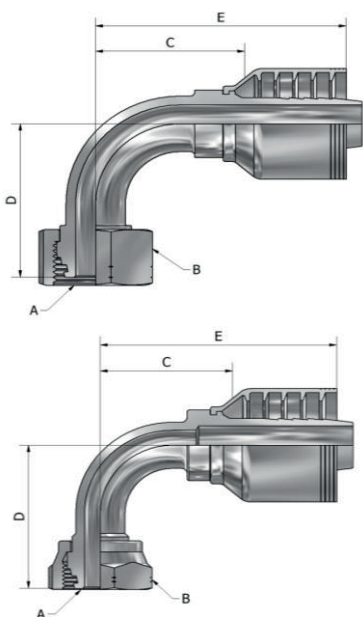
LIST



PART NUMBER	Products Description									
	Hose In-Dia	Thread METRIC	Nut Hex		Tail-Growth		Drop		Overall length	
			MM	Inch	MM	Inch	MM	Inch	MM	Inch
			A		B		C		D	
DD446-16-06O10	3/8	M16*1.5P	19.0	0.75	42.5	1.67	19.0	0.75	66.3	2.61
DD446-18-06O12	3/8	M18*1.5P	22.0	0.87	42.5	1.67	19.0	0.75	66.3	2.61
DD446-20-06O12	3/8	M20*1.5P	24.0	0.94	46.5	1.83	20.0	0.79	70.3	2.77
DD446-22-08O15	1/2	M22*1.5P	27.0	1.06	56.0	2.20	22.0	0.87	86.3	3.40
DD446-24-08O16	1/2	M24*1.5P	30.0	1.18	55.8	2.20	23.5	0.93	86.2	3.39
DD446-26-08O18	1/2	M26*1.5P	32.0	1.26	59.3	2.33	24.0	0.94	89.7	3.53
DD446-26-10O18	5/8	M26*1.5P	32.0	1.26	57.7	2.27	24.2	0.95	89.2	3.51
DD446-26-12O18	3/4	M26*1.5P	32.0	1.26	56.7	2.23	26.0	1.02	93.0	3.66
DD446-30-12O20	3/4	M30*2.0P	36.0	1.42	66.7	2.63	29.0	1.14	103.1	4.06
DD446-30-12O22	3/4	M30*2.0P	36.0	1.42	60.2	2.37	25.5	1.00	96.6	3.80
DD446-36-12O25	3/4	M36*2.0P	46.0	1.81	66.7	2.63	34.0	1.34	103.1	4.06
DD446-36-16O28	1"	M36*2.0P	46.0	1.81	79.2	3.12	36.9	1.45	123.1	4.85
DD446-45-20O35	1-1/4	M45*2.0P	50.0	1.97	109.8	4.32	48.0	1.89	152.3	6.00
DD446-52-20O38	1-1/4	M52*2.0P	60.0	2.36	110.8	4.36	50.0	1.97	153.3	6.04

DD496 SERIES(Female Metric Swivel - DIN 20078 90° Elbow O-Ring)

LIST



PART NUMBER	Products Description									
	Hose In-Dia	Thread METRIC	Nut Hex		Tail-Growth		Drop		Overall length	
			MM	Inch	MM	Inch	MM	Inch	MM	Inch
			A		B		C		D	
DD496-16-06O10	3/8	M16*1.5P	19.0	0.75	31.1	1.22	34.0	1.34	54.9	2.16
DD496-18-06O10	3/8	M18*1.5P	22.0	0.87	31.1	1.22	36.0	1.42	54.9	2.16
DD496-18-06O12	3/8	M18*1.5P	22.0	0.87	31.1	1.22	36.0	1.42	54.9	2.16
DD496-20-06O12	3/8	M20*1.5P	24.0	0.94	35.1	1.38	37.0	1.46	58.9	2.32
DD496-22-06O14	3/8	M22*1.5P	27.0	1.06	38.1	1.50	37.0	1.46	61.9	2.44
DD496-22-06O15	3/8	M22*1.5P	27.0	1.06	38.1	1.50	37.0	1.46	61.9	2.44
DD496-22-08O15	1/2	M22*1.5P	27.0	1.06	45.1	1.78	41.7	1.64	75.5	2.97
DD496-24-08O16	1/2	M24*1.5P	30.0	1.18	46.0	1.81	45.0	1.77	74.5	2.93
DD496-26-10O18	5/8	M26*1.5P	32.0	1.26	50.6	1.99	48.0	1.89	82.1	3.23
DD496-26-12O18	3/4	M26*1.5P	32.0	1.26	45.3	1.78	52.8	2.08	81.7	3.22
DD496-30-10O20	5/8	M30*2.0P	36.0	1.42	52.6	2.07	52.0	2.05	84.1	3.31
DD496-30-10O22	5/8	M30*2.0P	36.0	1.42	56.6	2.23	48.0	1.89	88.1	3.47
DD496-30-12O20	3/4	M30*2.0P	36.0	1.42	52.3	2.06	56.5	2.22	88.7	3.49
DD496-30-12O22	3/4	M30*2.0P	36.0	1.42	52.3	2.06	58.0	2.28	88.7	3.49
DD496-36-10O25	5/8	M36*2.0P	46.0	1.81	56.6	2.23	59.0	2.32	88.1	3.47
DD496-36-12O25	3/4	M36*2.0P	46.0	1.81	50.3	1.98	65.0	2.56	86.7	3.41
DD496-42-16O30	1"	M42*2.0P	50.0	1.97	64.6	2.54	75.0	2.95	108.5	4.27
DD496-45-20O35	1-1/4	M45*2.0P	50.0	1.97	88.2	3.47	85.0	3.35	130.7	5.15
DD496-52-24O42	1-1/2	M52*2.0P	60.0	2.36	105.0	4.13	101.0	3.98	160.2	6.31